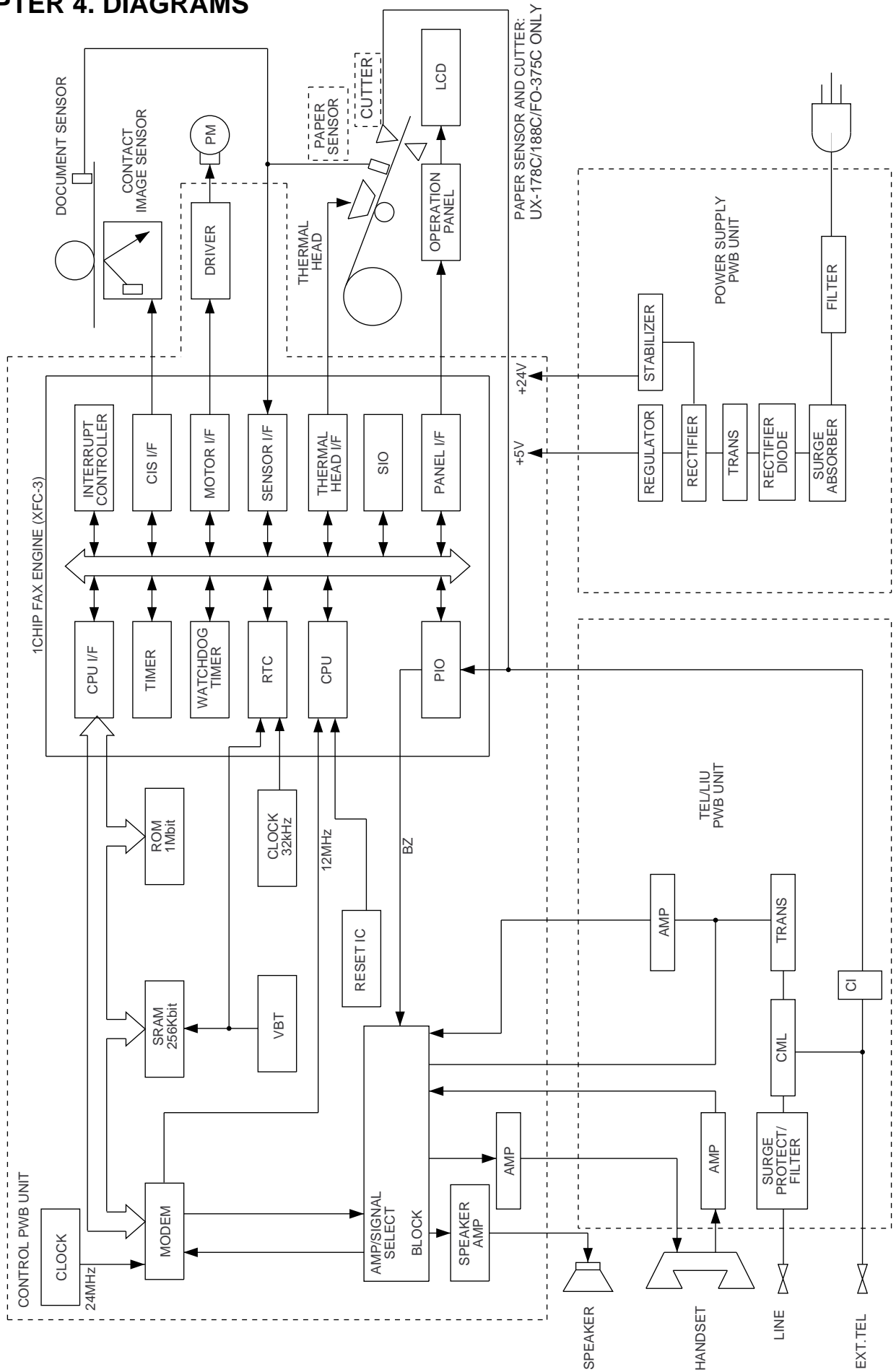
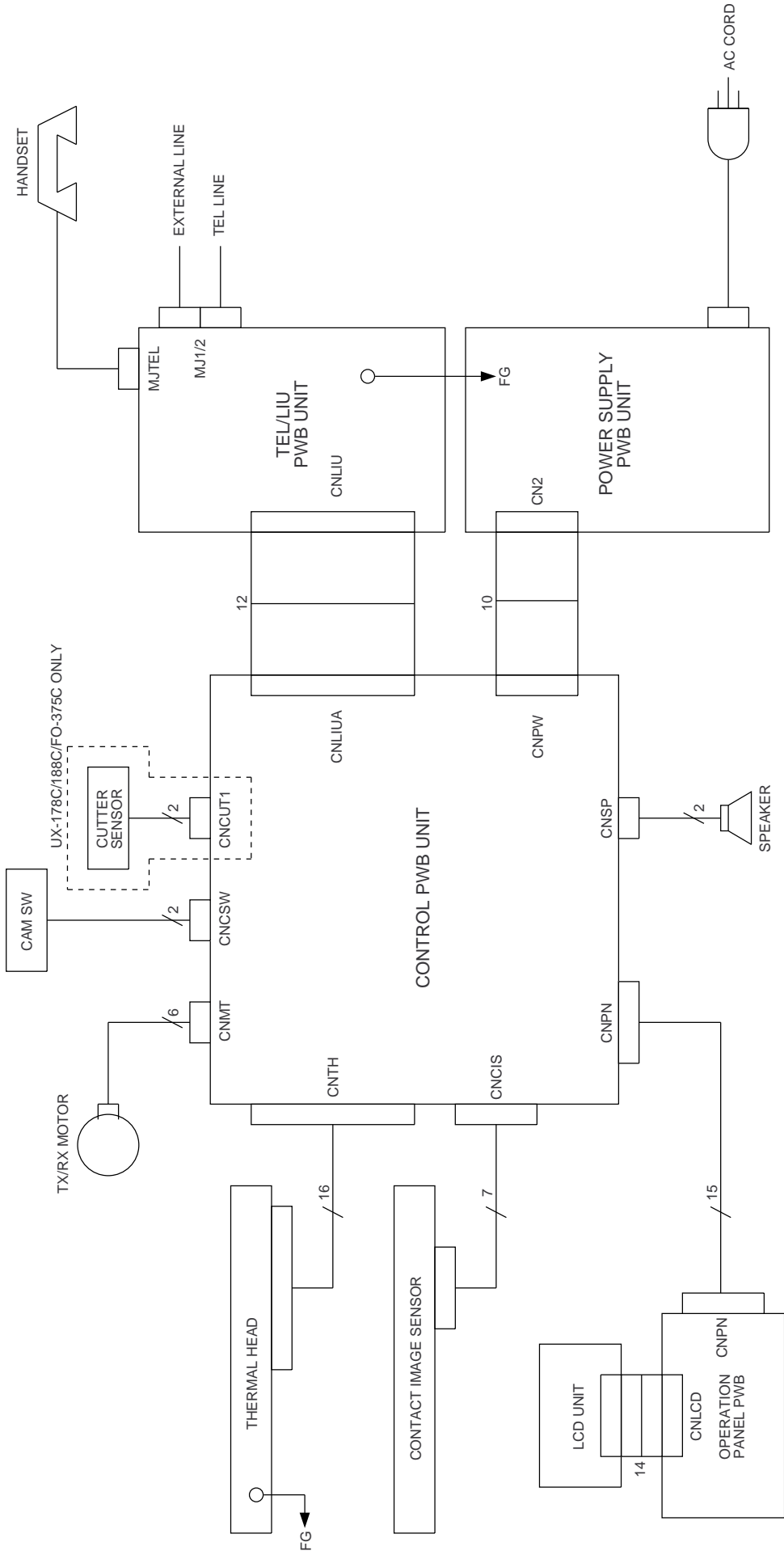


# CHAPTER 4. DIAGRAMS

[1] Block diagram





[2] Wiring diagram

[3] Point-to-point diagram

